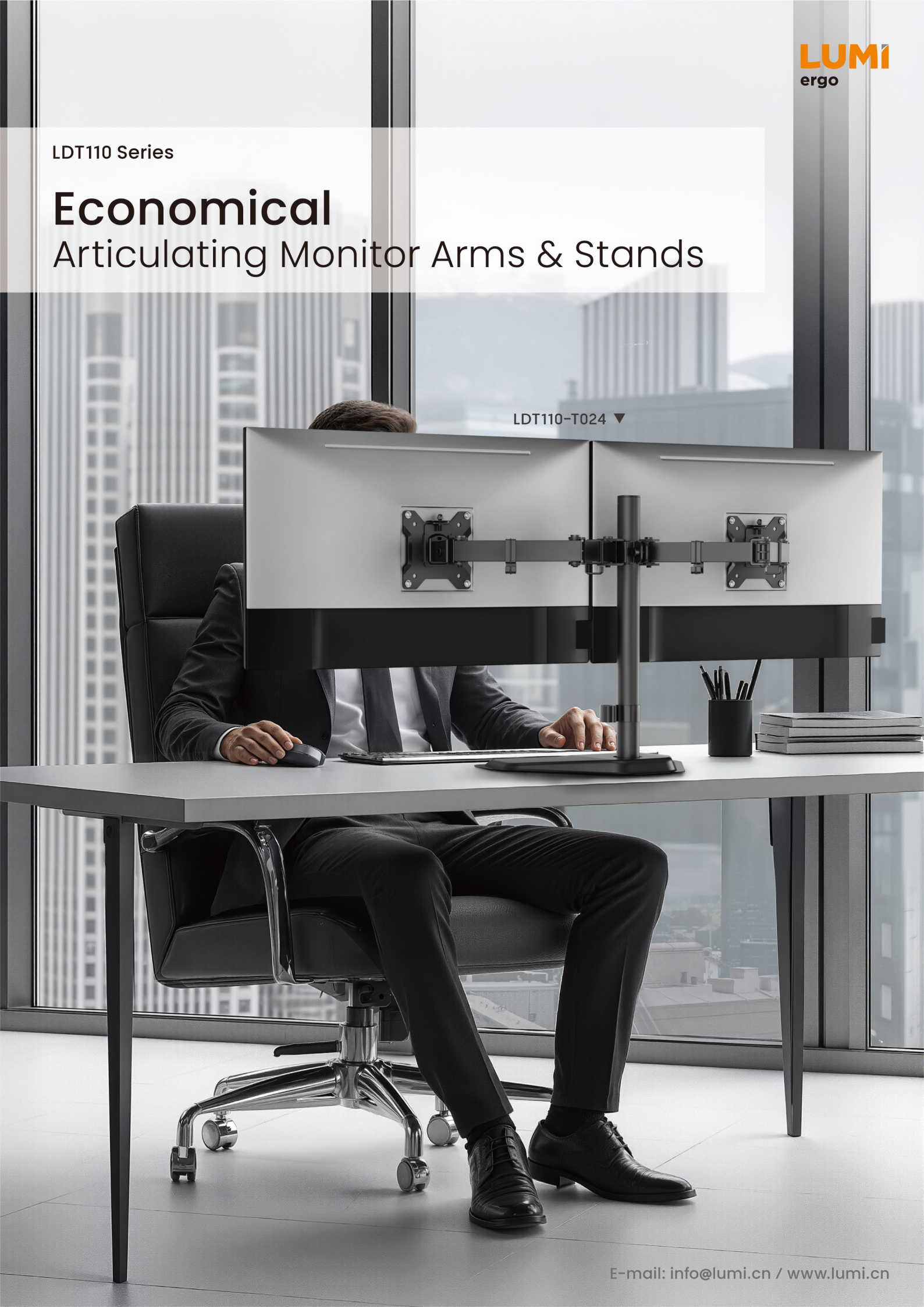
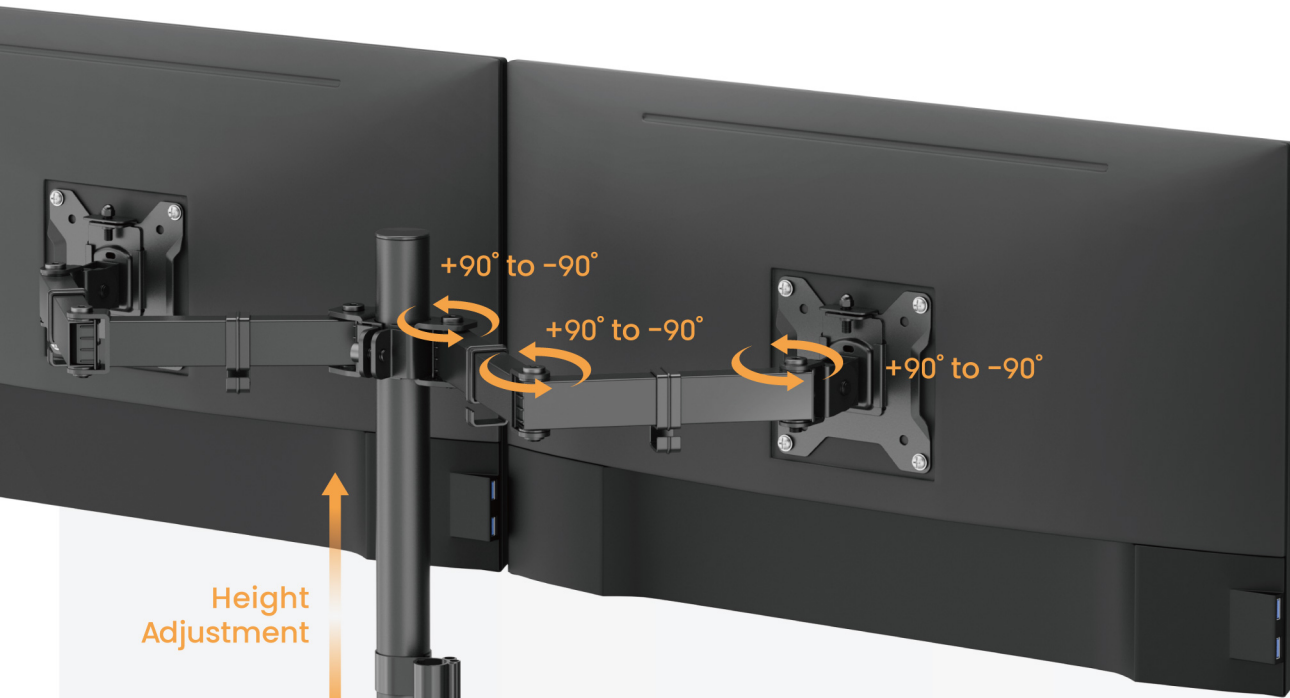


LDT110 Series

Economical Articulating Monitor Arms & Stands

LDT110-T024 ▼





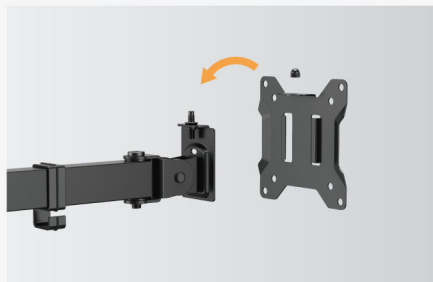
Height Adjustment

+90° to -90°

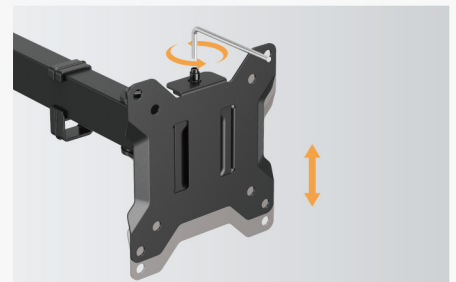
+90° to -90°

+90° to -90°

LDT110-C024 ▶



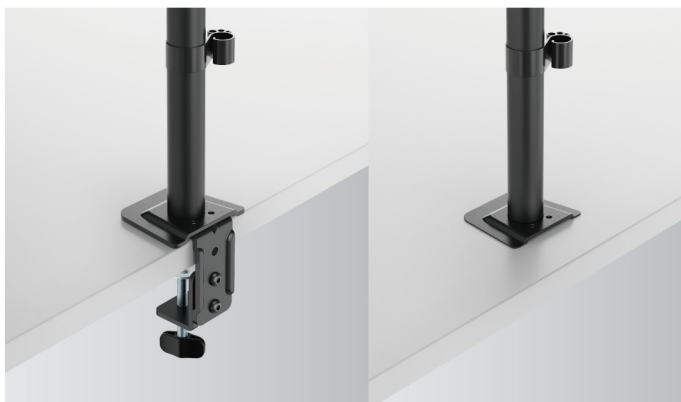
Detachable VESA Plate
enables easy monitor installation



Fine-Tuning Height Adjustment
for a nearly seamless side-by-side viewing experience (for dual horizontal, triple and quad monitor mounts)

Multiple Mounting Options

for different user needs



Clamp / Grommet Base
with 2-in-1 design



Freestanding Base

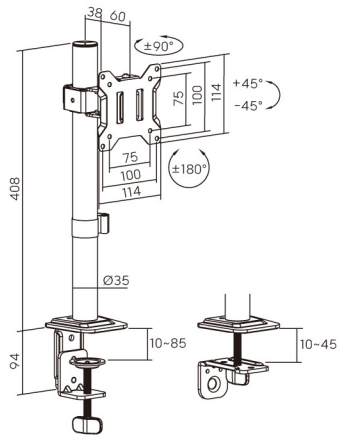
LDT110 Series

Economical Articulating Monitor Arms & Stands

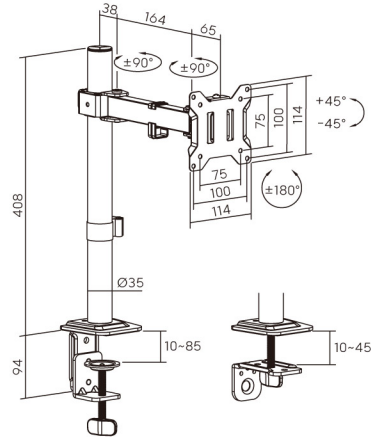
For Single Monitor

Dimensions (mm)

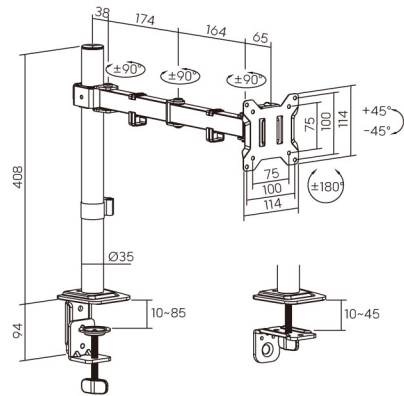
LDT110-C01 Clamp / Grommet



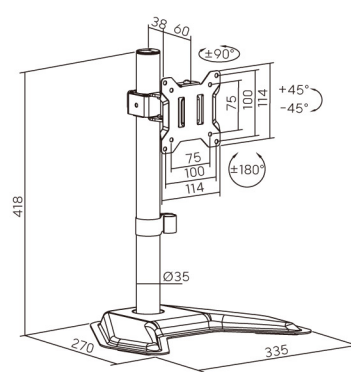
LDT110-C011 Clamp / Grommet



LDT110-C012 Clamp / Grommet

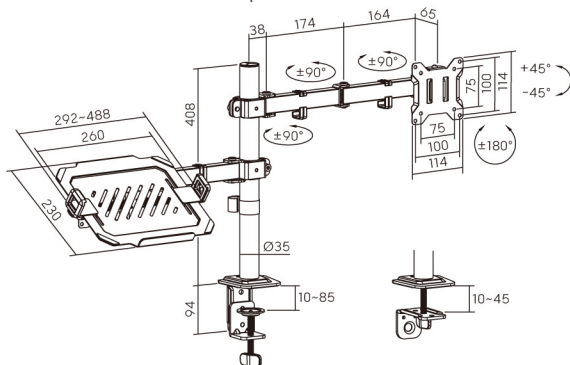


LDT110-T01 Freestanding



For Single Monitor and Laptop

LDT110-C024ML Clamp / Grommet



Item No.	LDT110-C01 / LDT110-C011 / LDT110-C012 / LDT110-T01	LDT110-C024ML
Fit Screen Size	17"-32"	17"-32"
Weight Capacity (per screen)	10kg (22lbs)	10kg (22lbs)
Tilt Range	+45°~-45°	+45°~-45°
Swivel Range	+90°~-90°	+90°~-90°
Screen Rotation	+180°~-180°	+180°~-180°
Fit Laptop Size	/	12"-17"
Laptop weight Capacity	/	9kg (19.8lbs)
Material	Steel, Plastic	Steel, Plastic

LDT110 Series

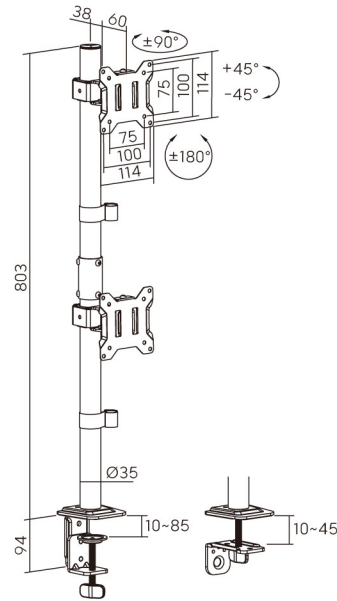
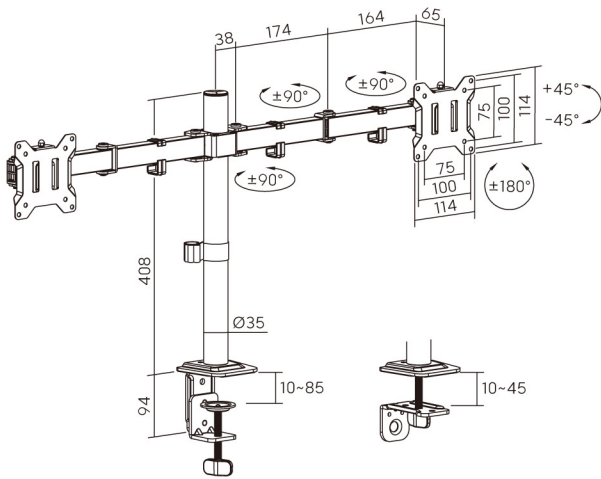
Economical Articulating Monitor Arms & Stands

For Dual Monitors

Dimensions (mm)

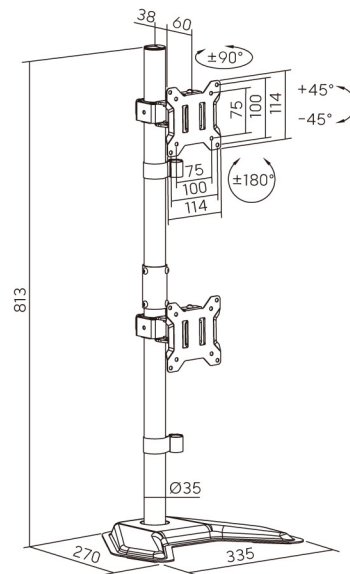
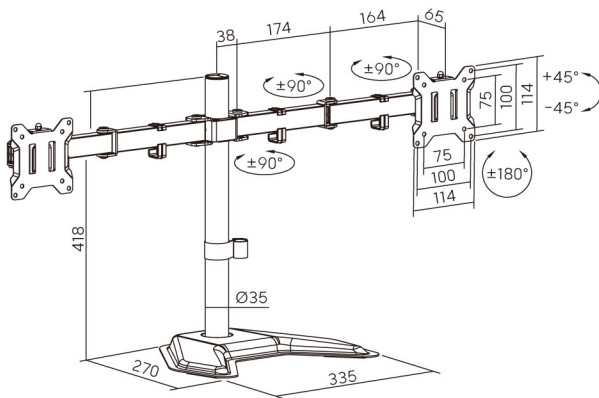
LDT110-C024 Clamp / Grommet

LDT110-C02V Clamp / Grommet



LDT110-T024 Freestanding

LDT110-T02V Freestanding



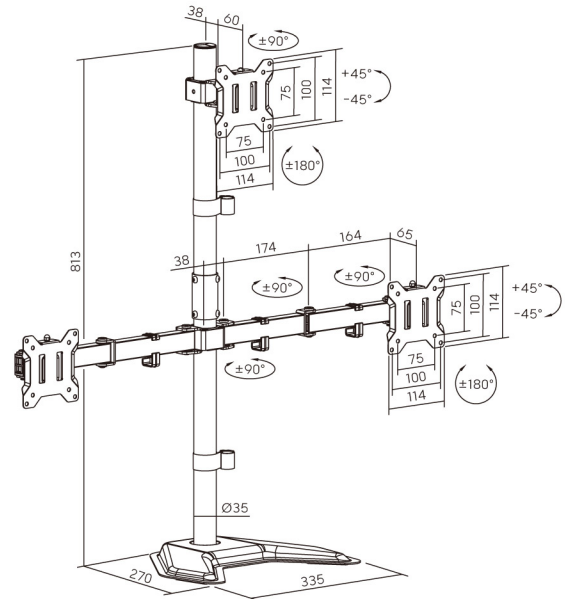
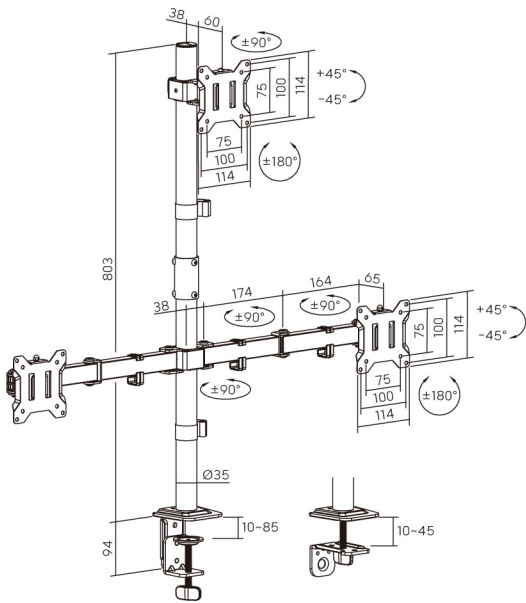
Item No.	LDT110-C024 / LDT110-C02V / LDT110-T024 / LDT110-T02V
Fit Screen Size	17"-32"
Weight Capacity (per screen)	10kg (22lbs)
Tilt Range	+45°~-45°
Swivel Range	+90°~-90°
Screen Rotation	+180°~-180°
Material	Steel, Plastic

For Triple Monitors

Dimensions (mm)

LDT110-C034 Clamp / Grommet

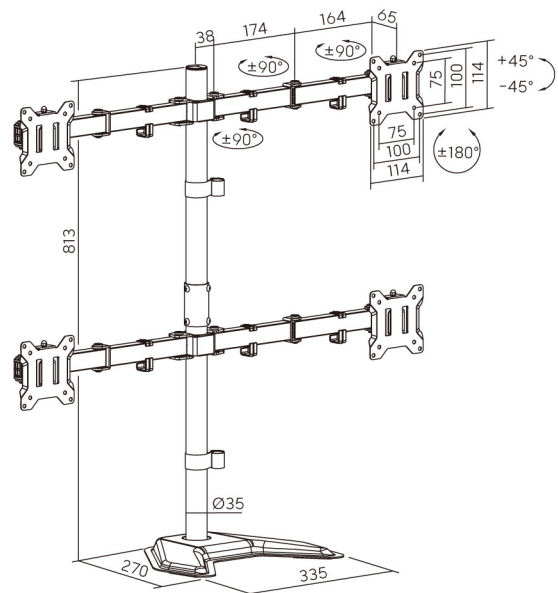
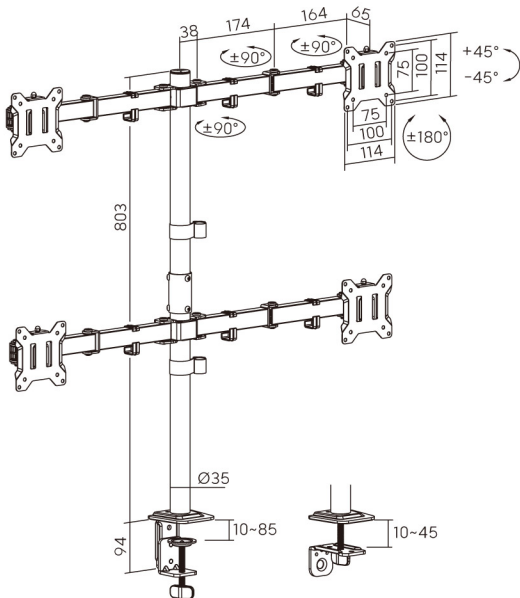
LDT110-T034 Freestanding



For Quad Monitors

LDT110-C048 Clamp / Grommet

LDT110-T048 Freestanding



Item No.	LDT110-C034 / LDT110-T034 / LDT110-C048	LDT110-T048
Fit Screen Size	17"-32"	17"-32"
Weight Capacity (per screen)	10kg (22lbs)	8kg (17.6lbs)
Tilt Range	+45°~-45°	+45°~-45°
Swivel Range	+90°~-90°	+90°~-90°
Screen Rotation	+180°~-180°	+180°~-180°
Material	Steel, Plastic	Steel, Plastic